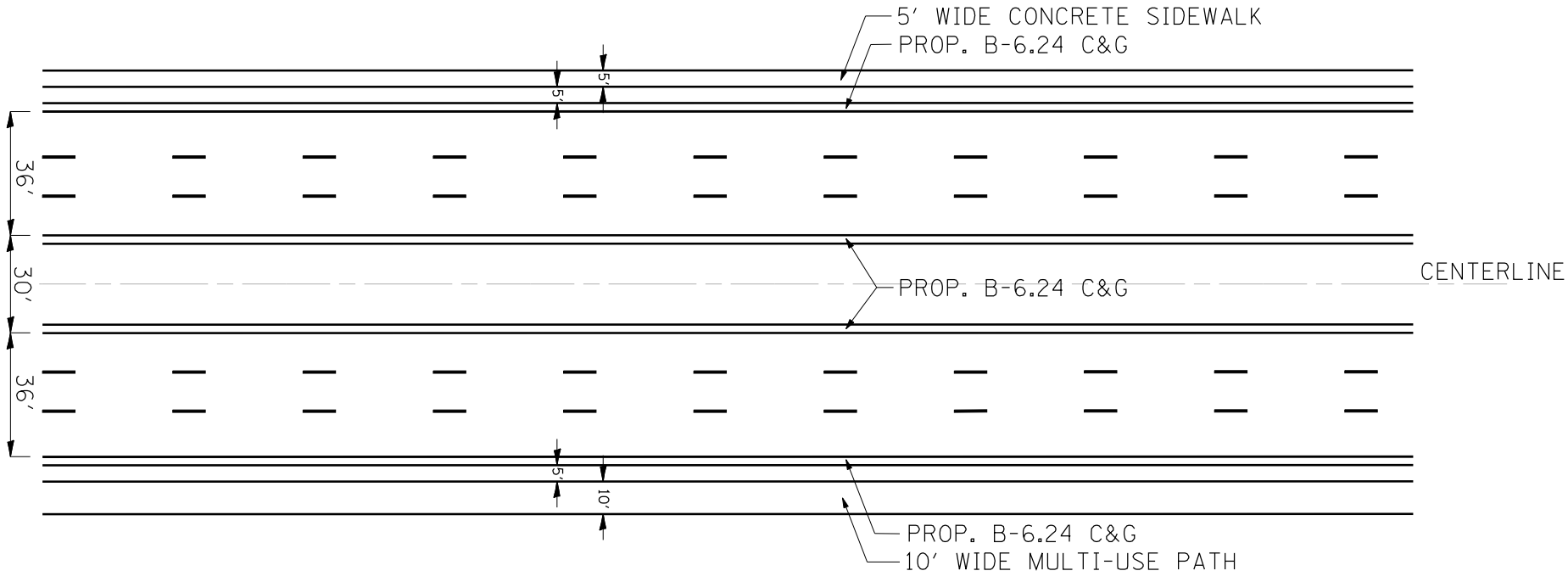


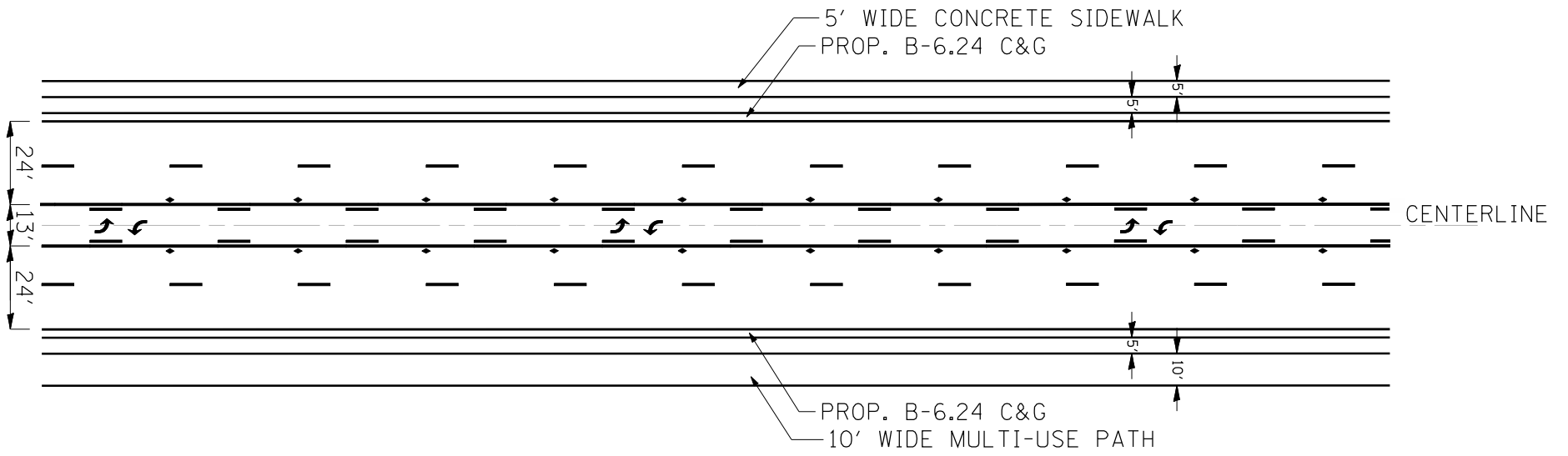
30' RAISED MEDIAN (4 LANES)

IMPROVEMENT:

1



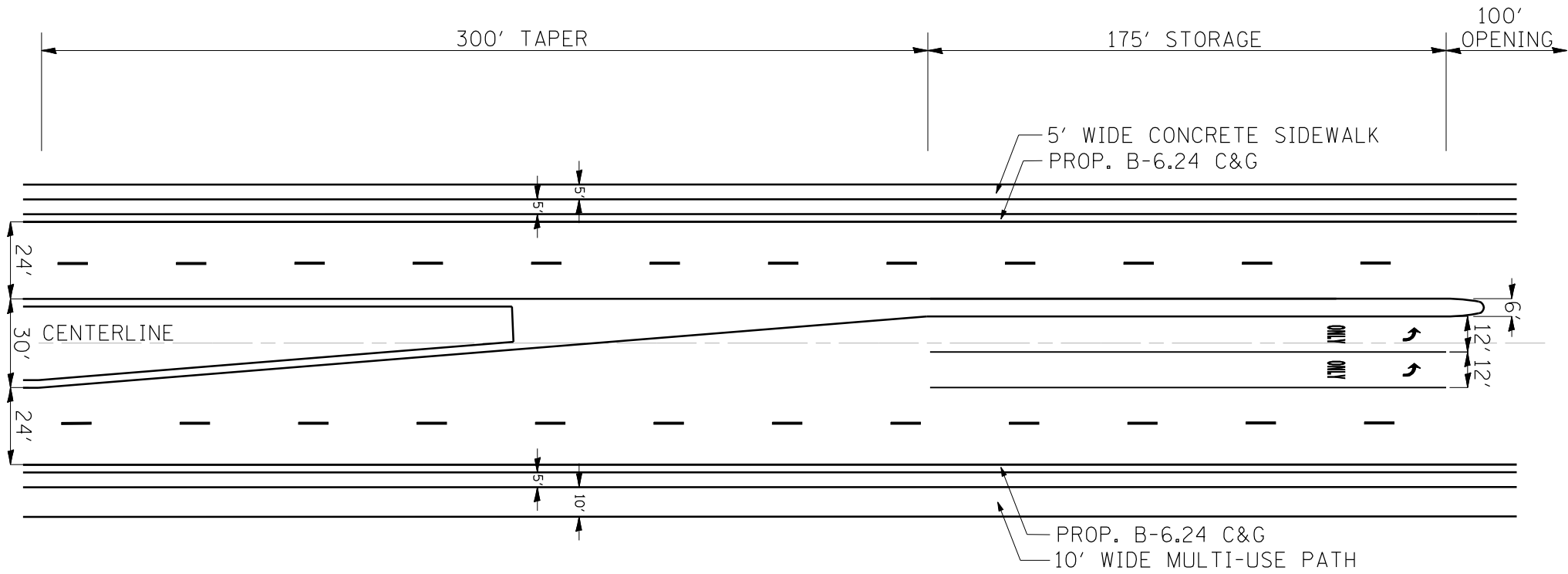
30' RAISED MEDIAN (6 LANES)



13' TWO-WAY LEFT TURN LANE

IMPROVEMENT:

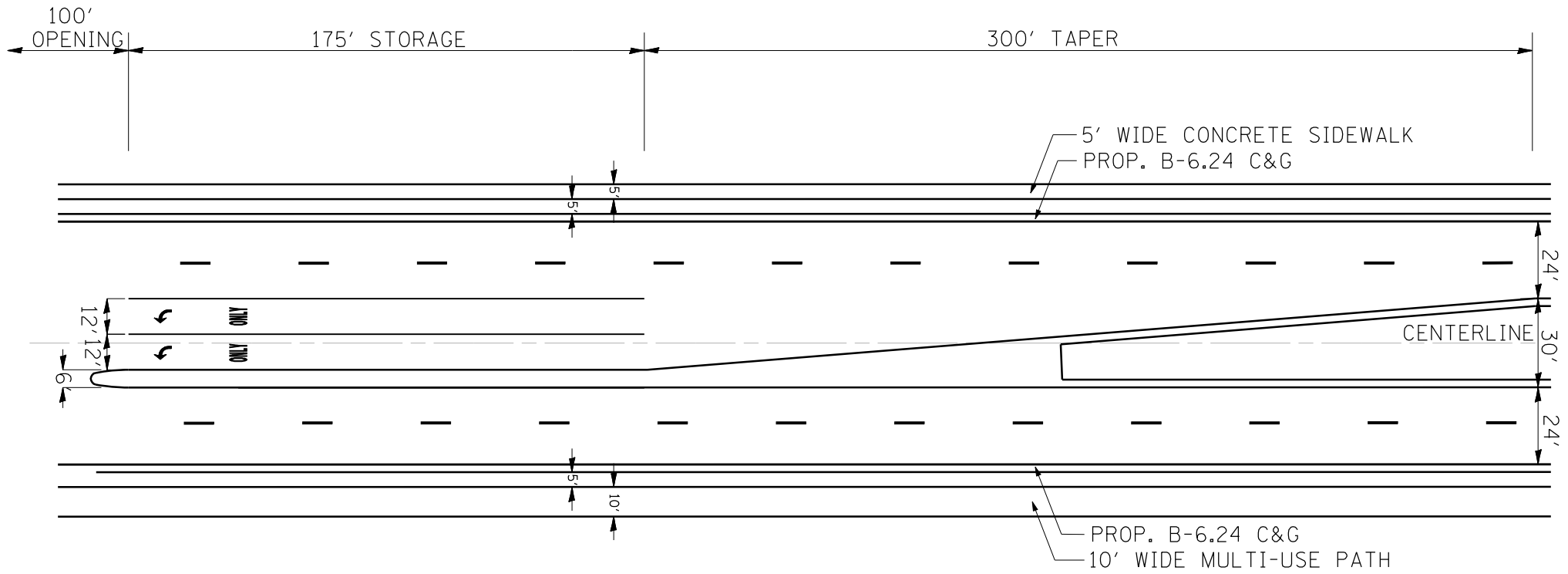
3



30' RAISED MEDIAN/DUAL LEFT TURNS (NORTHBOUND)

IMPROVEMENT:

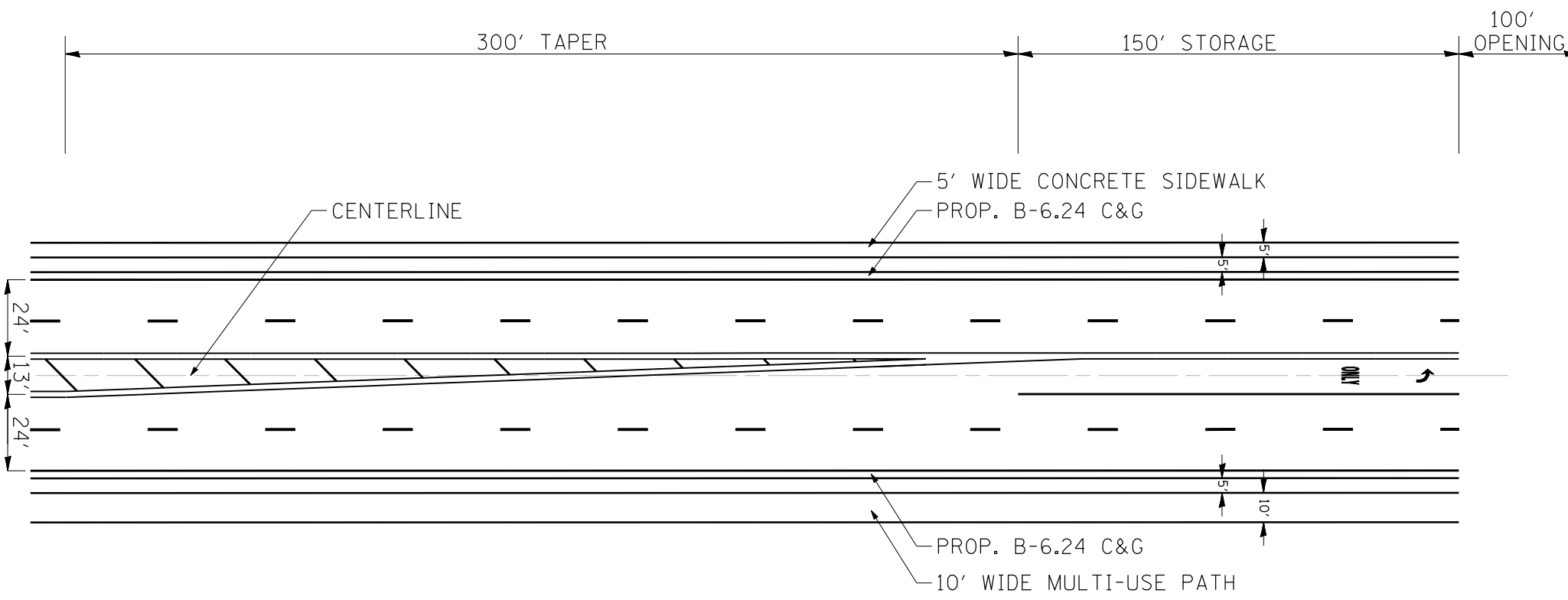
4



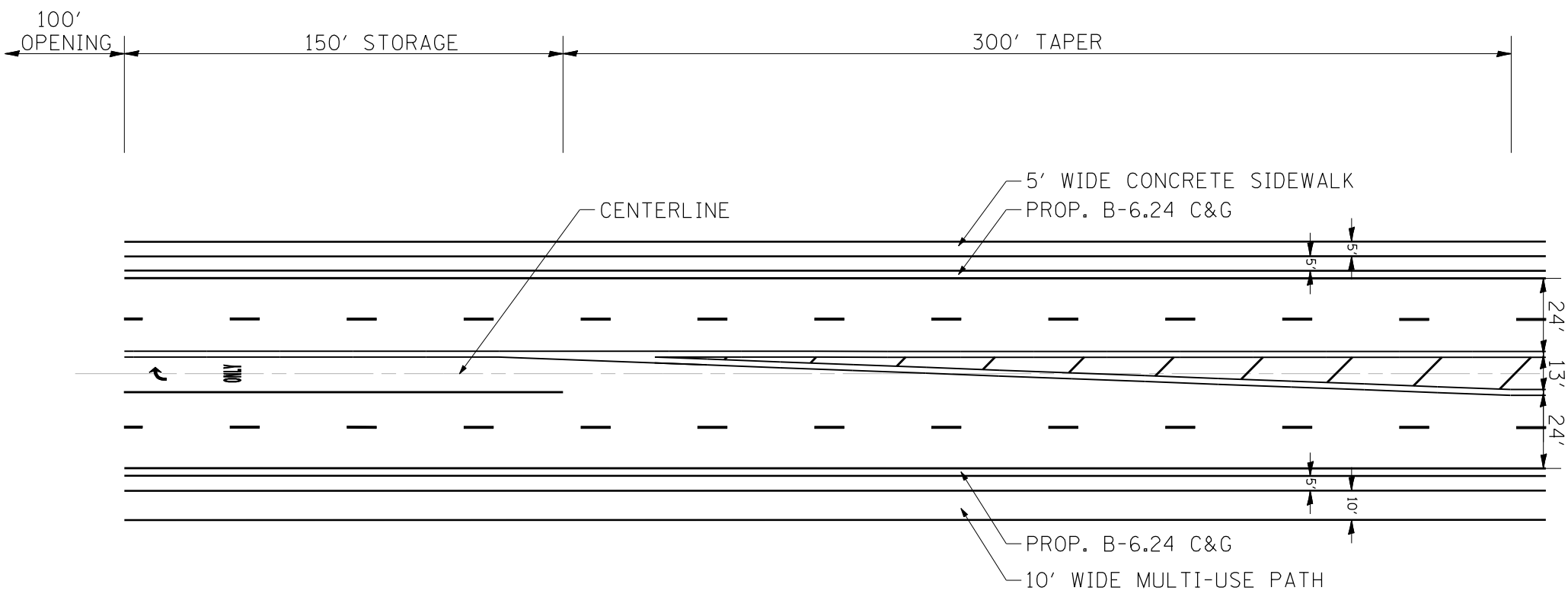
30' RAISED MEDIAN/DUAL LEFT TURNS (SOUTHBOUND)

IMPROVEMENT:

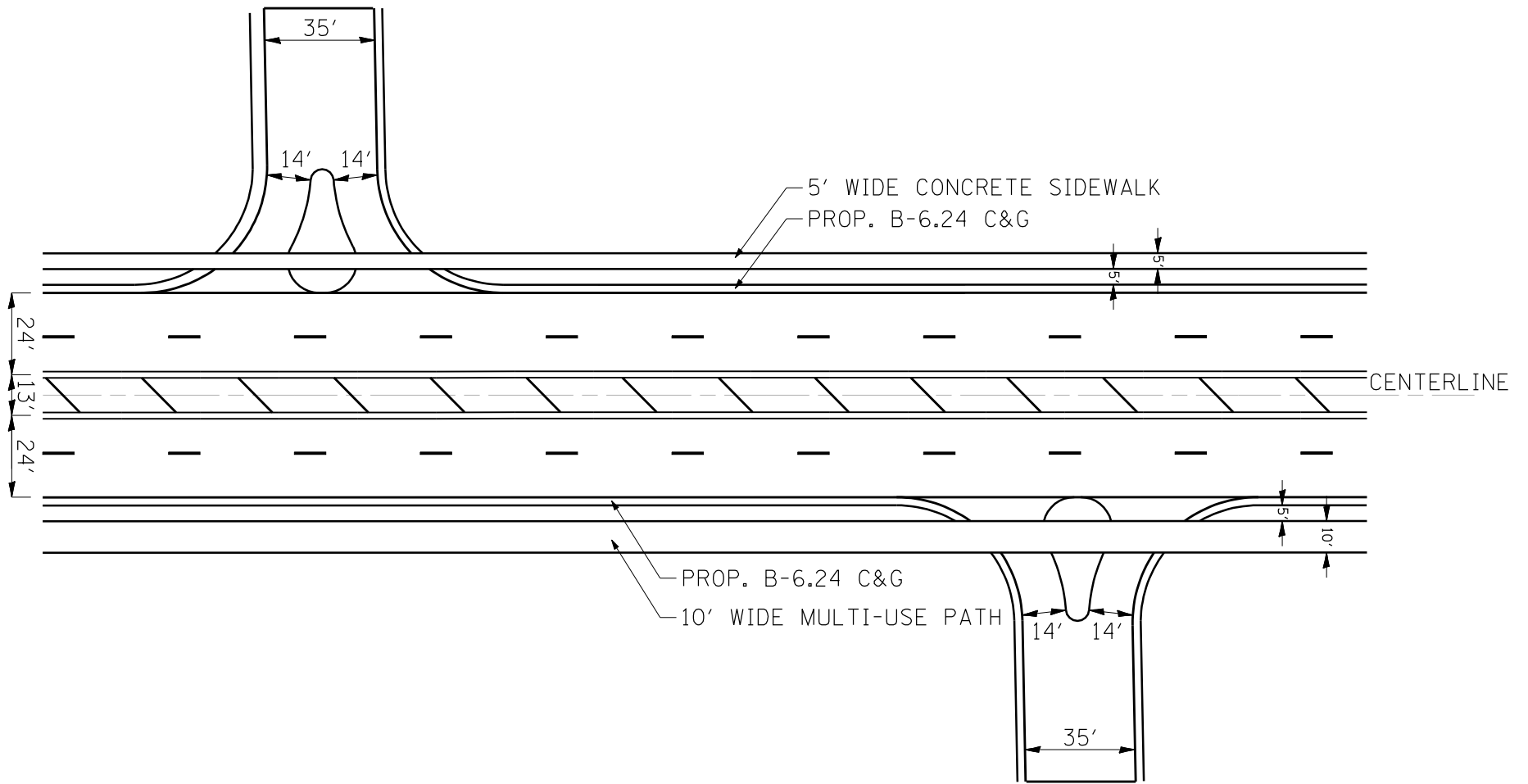
4



13' FLUSH MEDIAN LEFT TURN LANE (NORTHBOUND)



13' FLUSH MEDIAN LEFT TURN LANE (SOUTHBOUND)



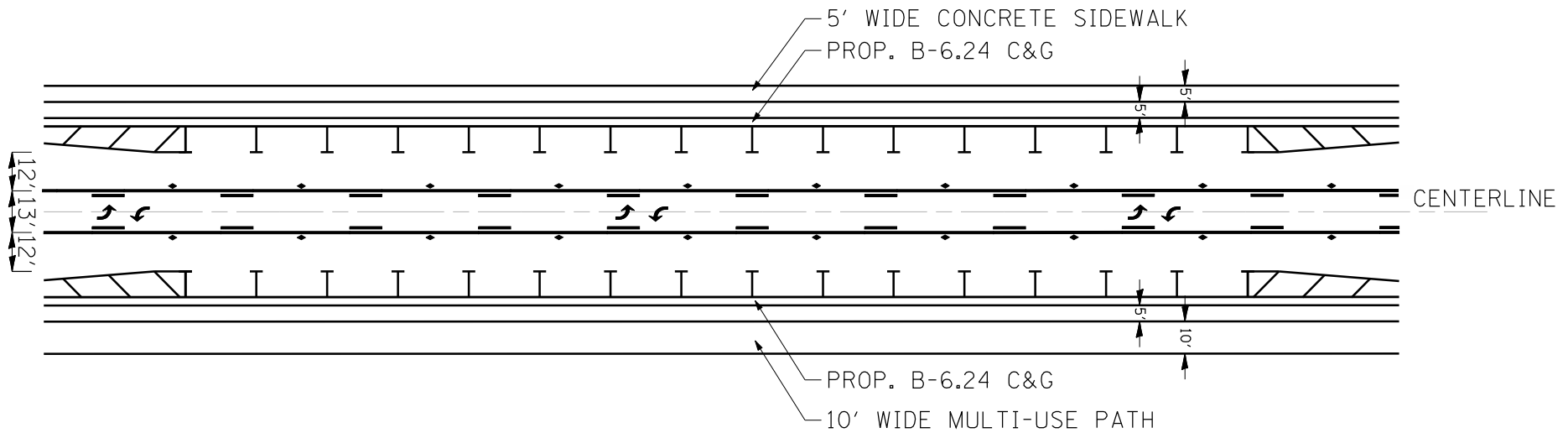
13' FLUSH MEDIAN RIGHT-IN/RIGHT-OUT

IMPROVEMENT:

6

PARKING ENDS
NEAR INTERSECTION
APPROACH

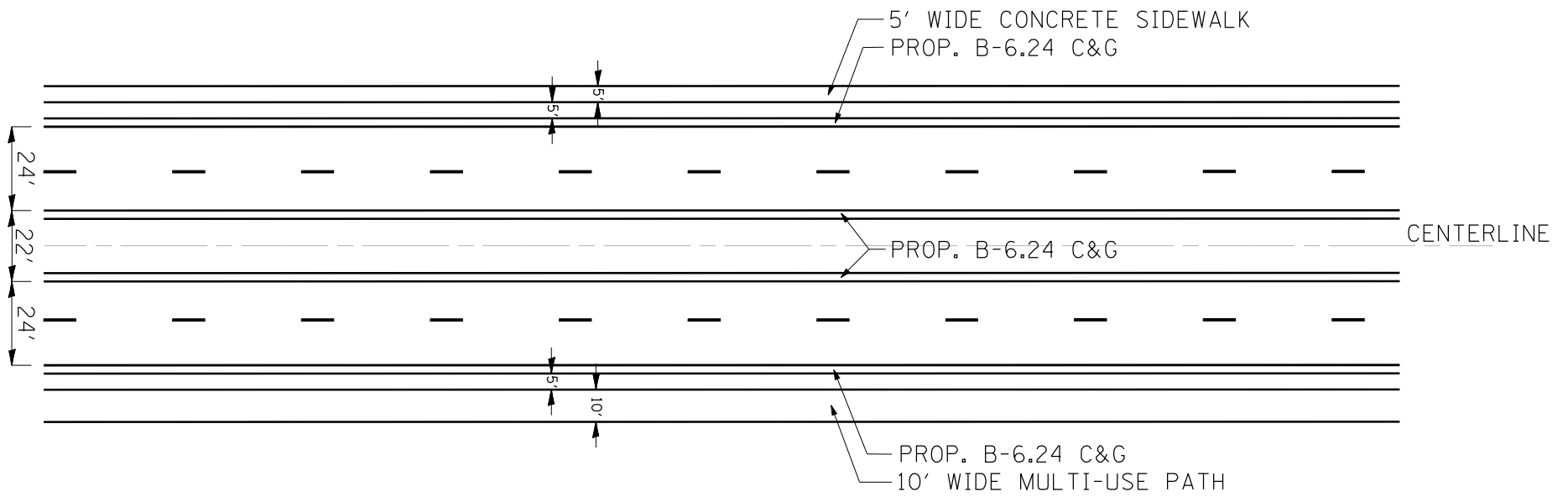
PARKING ENDS
NEAR INTERSECTION
APPROACH



13' TWO-WAY LEFT TURN LANE WITH PARKING (FOR DOWNTOWN MCHENRY ONLY)

IMPROVEMENT:

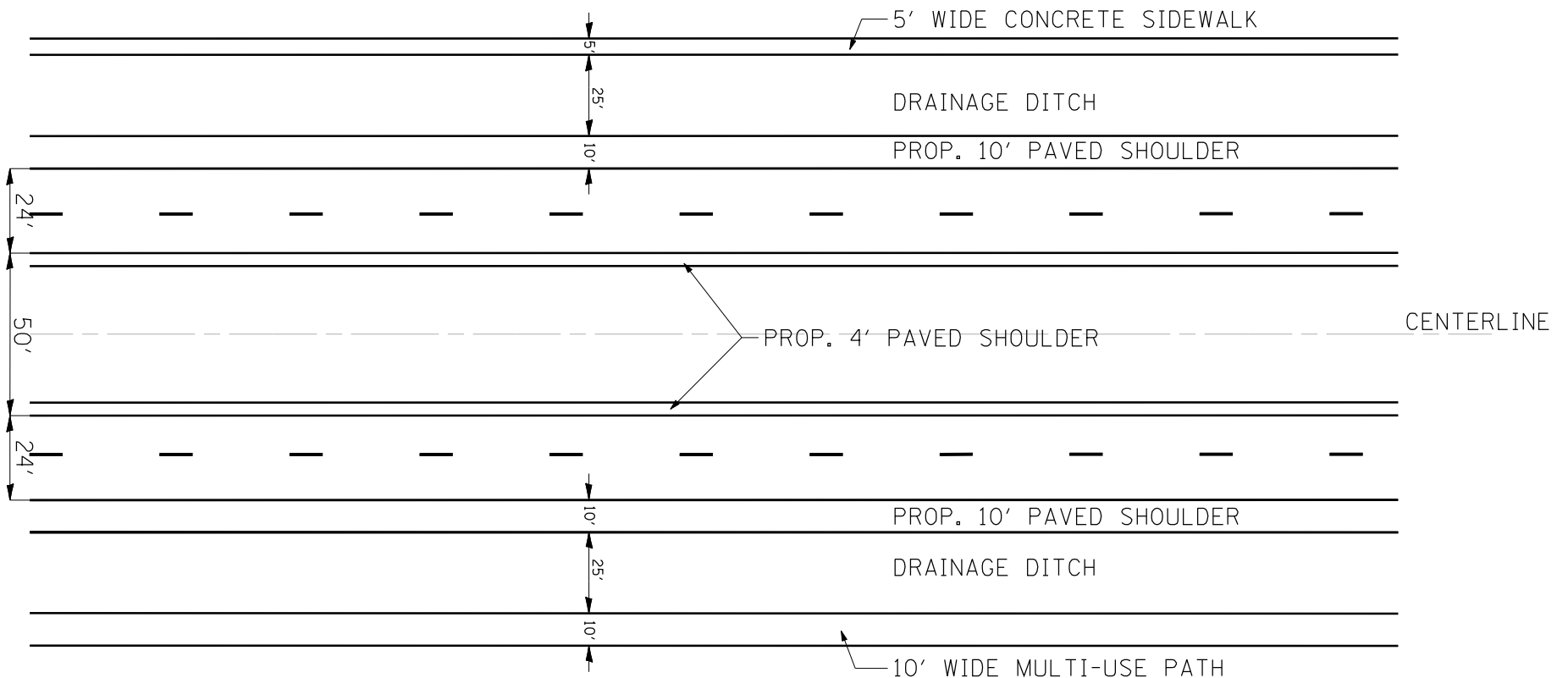
7



22' RAISED MEDIAN (4 LANES)

IMPROVEMENT:

8



**50' DEPRESSED MEDIAN
(4 LANES, NO CURB AND GUTTER)**